

## RAY STOL

chair/tuoli



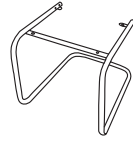
Delar/Parts/Osat



(A) x1



(B) x1



(C) x1



(D) x8

M6x13



(E) x4

M6x16



(F) x2

M6x25

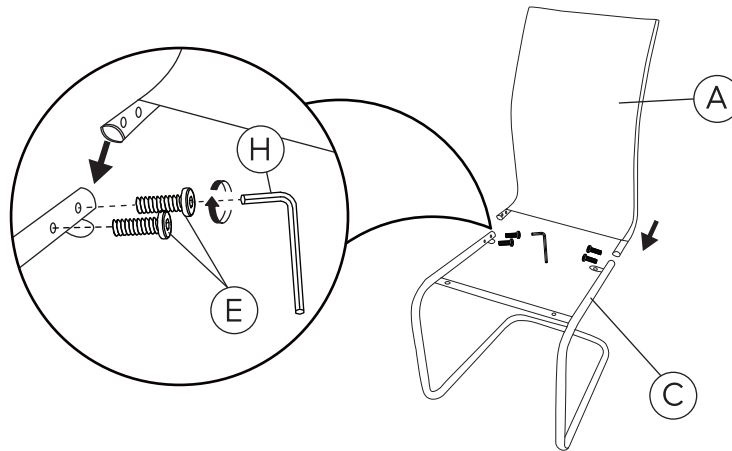


(G) x2

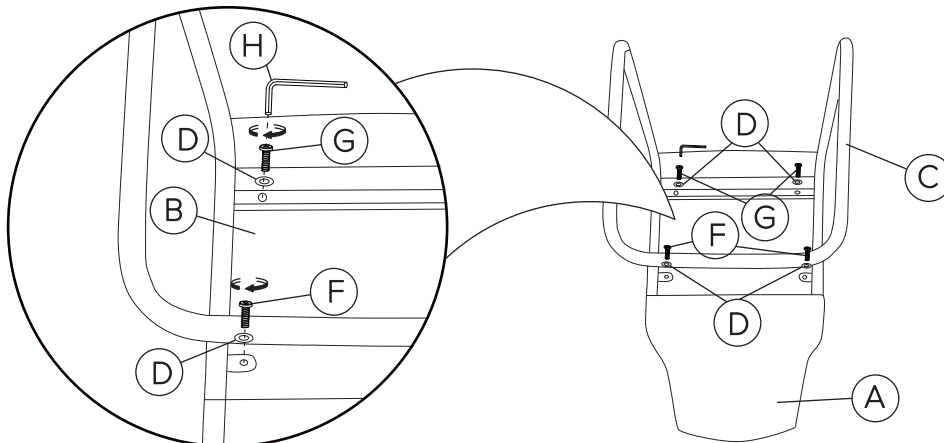


(H) x1

### 1.



### 2.



### 3.

